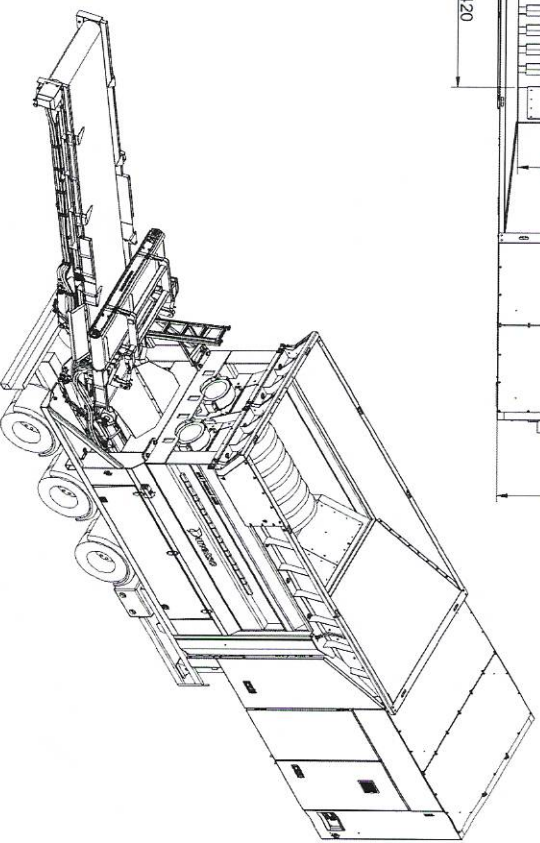
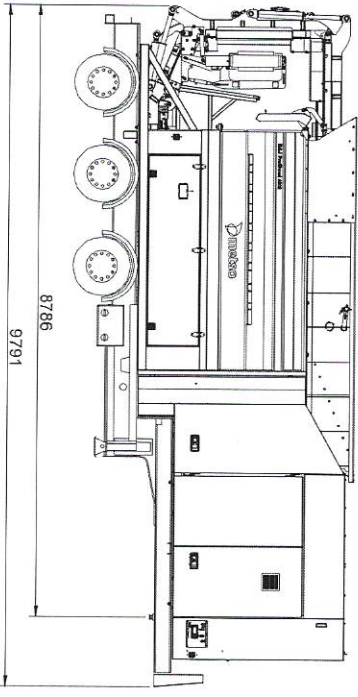
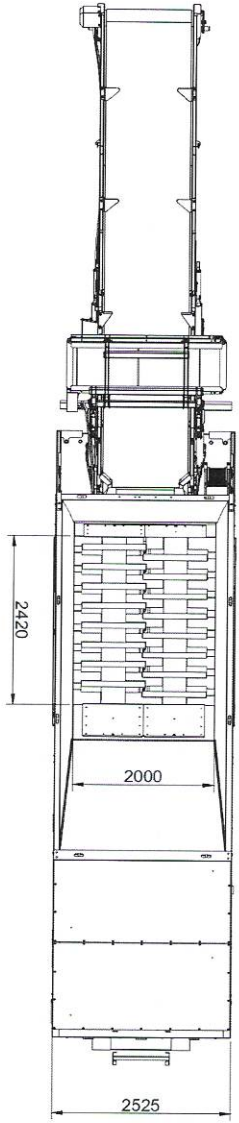
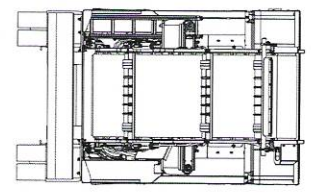
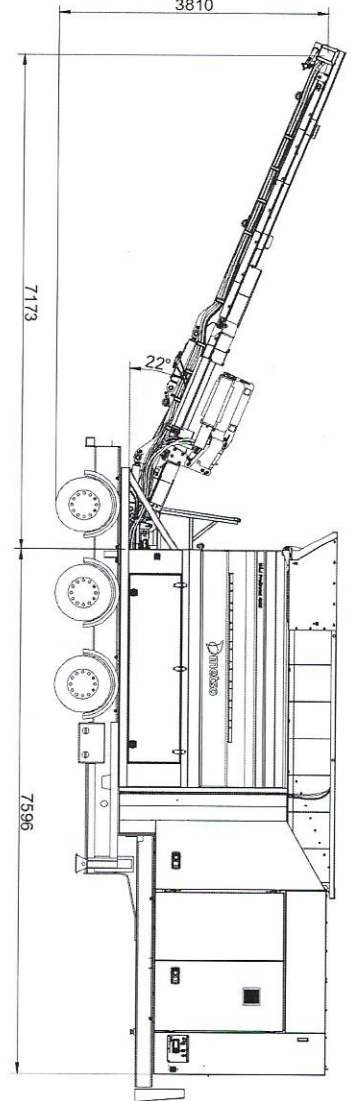
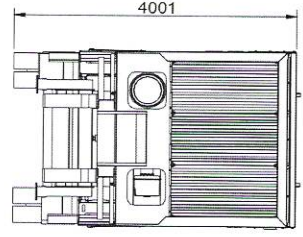


REV	DESCRIPTION OF REVISION	BY	APPD	DATE



UNLESS OTHERWISE SPECIFIED, DIMENSIONS ARE IN MILLIMETERS, ANGLES ARE IN DEGREES AND MINUTES, AND TOLERANCES ARE PER TABLE BELOW.

- DIMENSIONS WITHOUT SPECIFIED TOLERANCES ACCORDING TO ISO 2768-MK AND ISO 15007E
- SHARP EDGES, BURRS, WELDING SLAG, WIRES AND SPATTER MUST BE REMOVED
- SPRS ACCORDING TO EN ISO 8015

		Metso Denmark AS Vejlevej 5 DK-8700 Hovendal, Denmark	
TITLE	SHREDDER LAY-OUT	DATE	2014/04/28
CD/DRAWN	M.S.J. PRE-SHREDD-DIVISION	DATE	2014/04/28
CD/DRAWN	BIA SMET VEHUUR	DATE	2014/04/28
PROJECT NO.	199433	EQUIPMENT NO.	01
SCALE	1:50	SHEET	1 OF 1
UNRESTRICTED			