

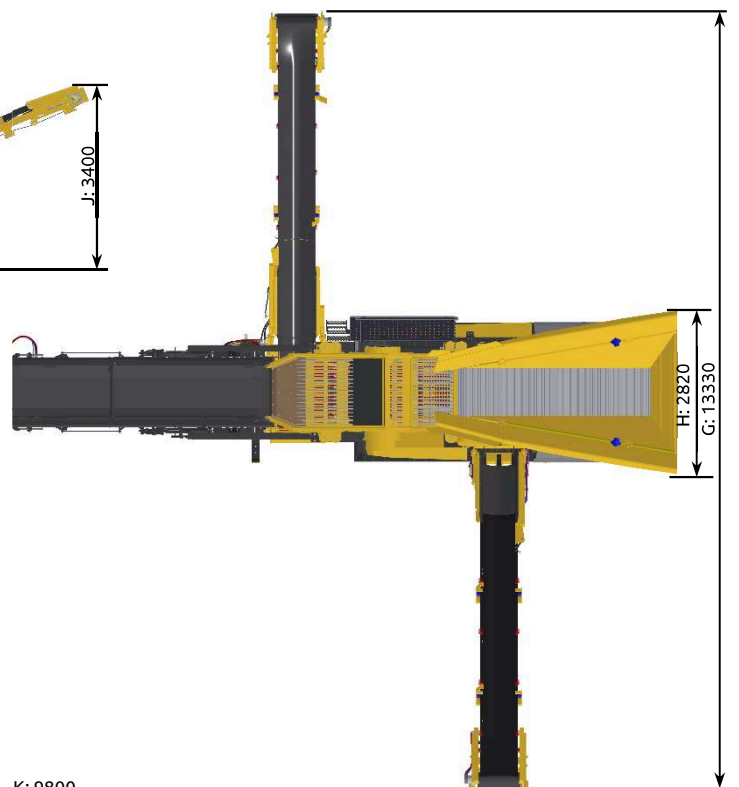
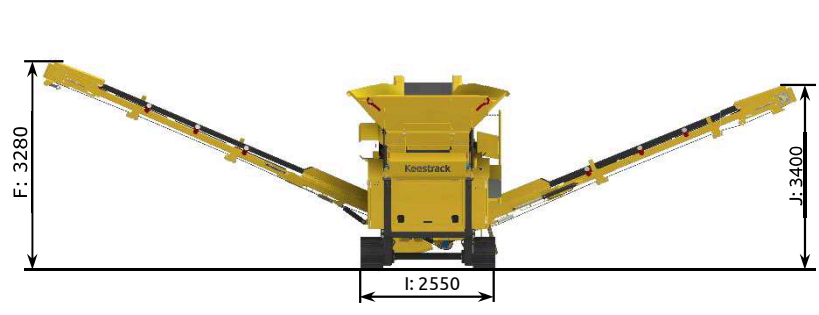
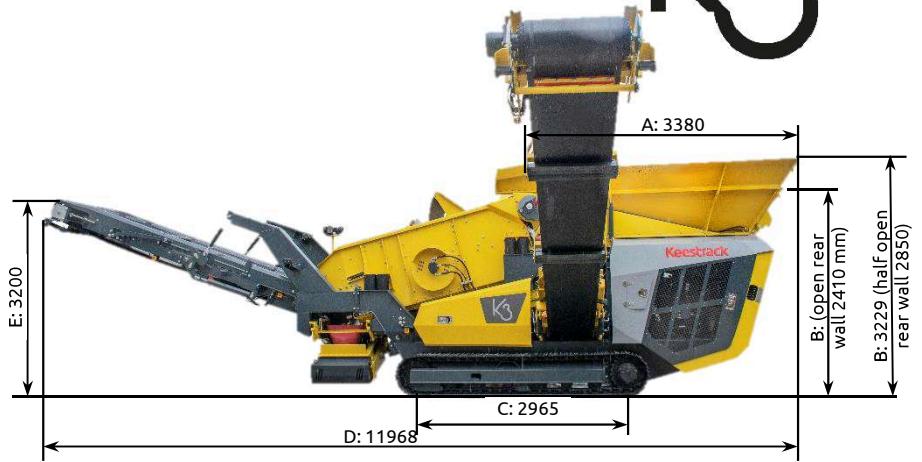
SCALPER K3

3-WAY-SPLIT



DIMENSIONS

OPERATION:

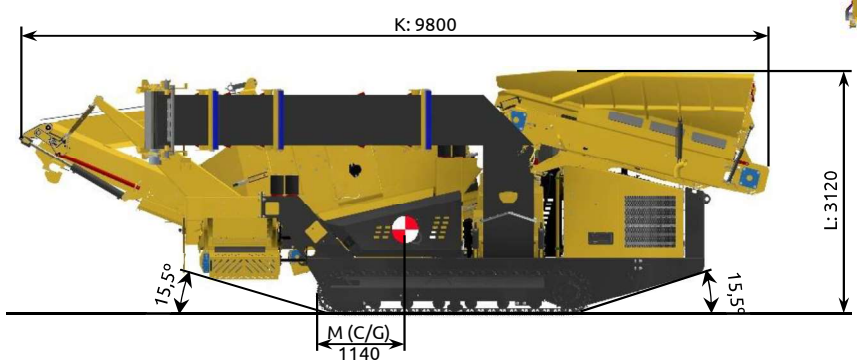


Weight: approx. 18,8 t (without options)

- Weight options:
- Magnetic separator MCL 10 KT FE + approx. 889 kg
 - Hopper wall extension + approx. 400 kg

Transport width 2.550 mm (8'4")

TRANSPORT:



REMARK: All pictures might show options, not included in the scope of supply

A	B	C	D	E	F	G	H	I	J	K	L	M
3380	3229	2965	11869	3200	3280	13330	2820	2550	3400	9800	3120	1140
11'1"	10'7"	9'9"	38'11"	10'6"	10'9"	43'9"	9'3"	8'4"	11'2"	32'2"	10'3"	3'9"